

RediPak Program 2023

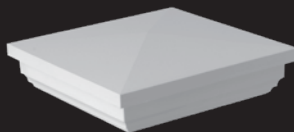
Homeland Vinyl Products, Inc.



RediPak by Homeland Vinyl Products, Inc. offers high quality at a value price. RediPaks are beautiful, sturdy, strong, and made with top-quality materials. A RediPak fence will stand the test of time and bring enjoyment for many years to come without the hassle of painting. Prior to installation, consult your local building department to address applicable building codes.

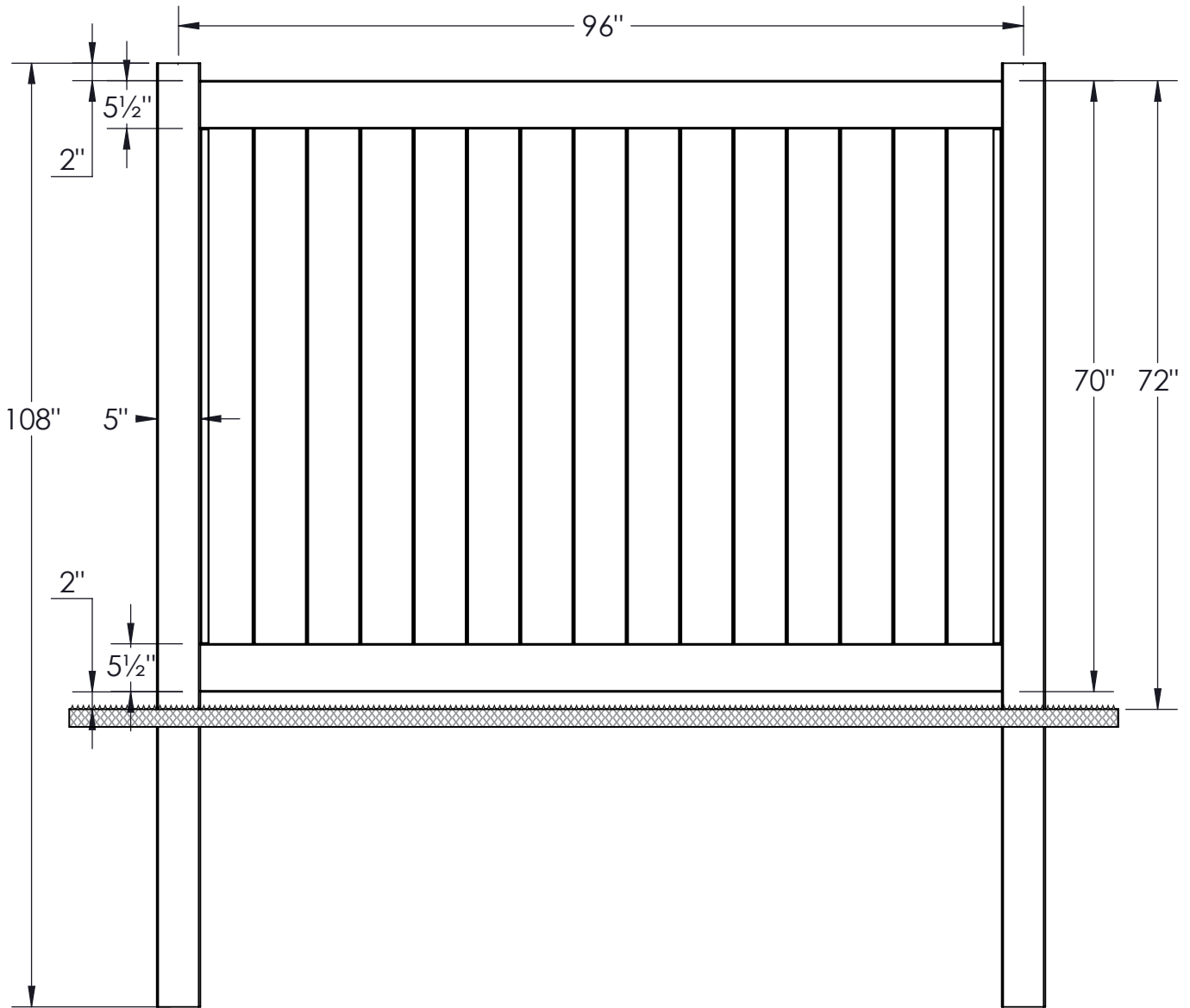


Waymark Accessories can add extra value. Add a decorative cap or even solar lighting to RediPak. Metal and Tiffany style tops are also available to add a more elegant appearance.



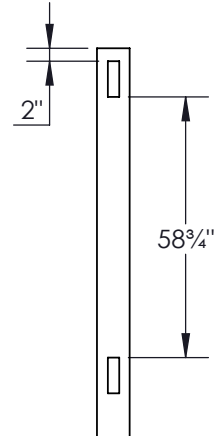
WaymarkProducts.com

6'H X 8'W - 1-1/2" x 5-1/2" Gorilla Redipak - 70" Body



Quantity	Item Key	Description
2	F32G	1 1/2" x 5 1/2" x 94" Gorilla Pocket Rail
15	F54G	7/8" x 6" x 62 1/4" Gorilla T&G
2	F83U	7/8" x 58 3/4" Trim Channel
2	F10E	5" x 5" x 108" Co-Ex Standard Post
1	G3RFH121	1 1/2" x 93" Steel Insert (Bottom Rail)

Route Pattern



This drawing is the property of Homeland Vinyl Products, Inc. It is not to be reproduced, copied or traced in whole or in part without the written consent of Homeland Vinyl Products, Inc.

TITLE:

6'H x 8'W 1 1/2" x 5 1/2" Gorilla Redipak
(70" Body)

DRAWN BY:

ALW

DATE:

4/29/2022

SCALE:

1 : 18

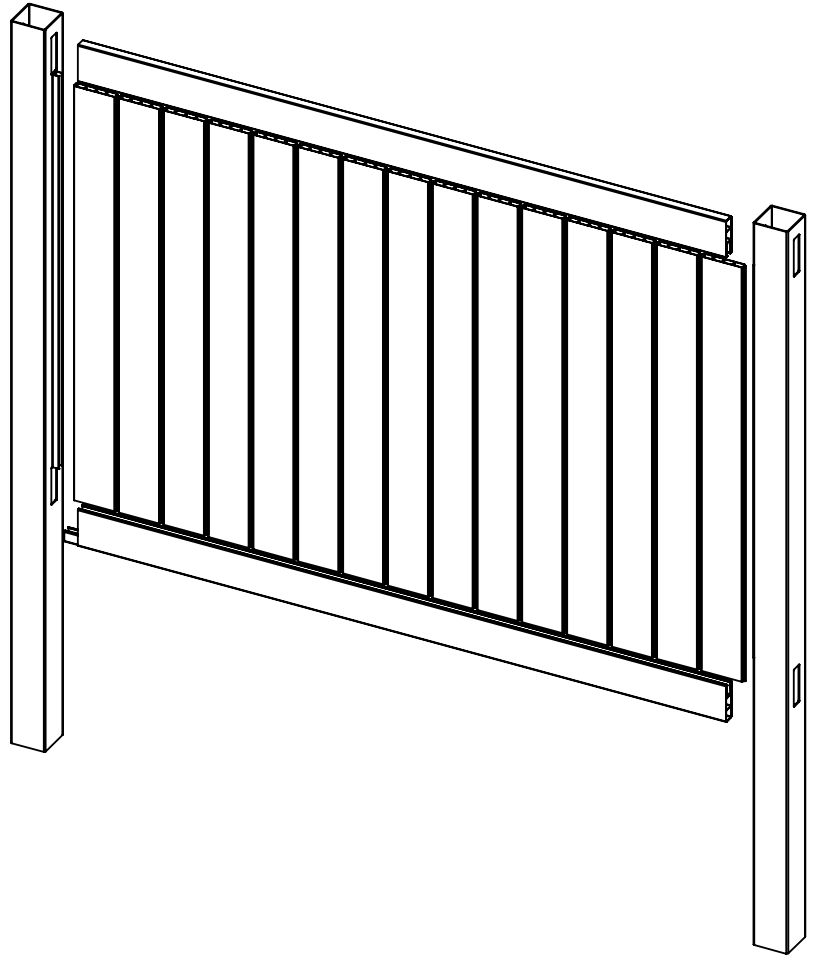
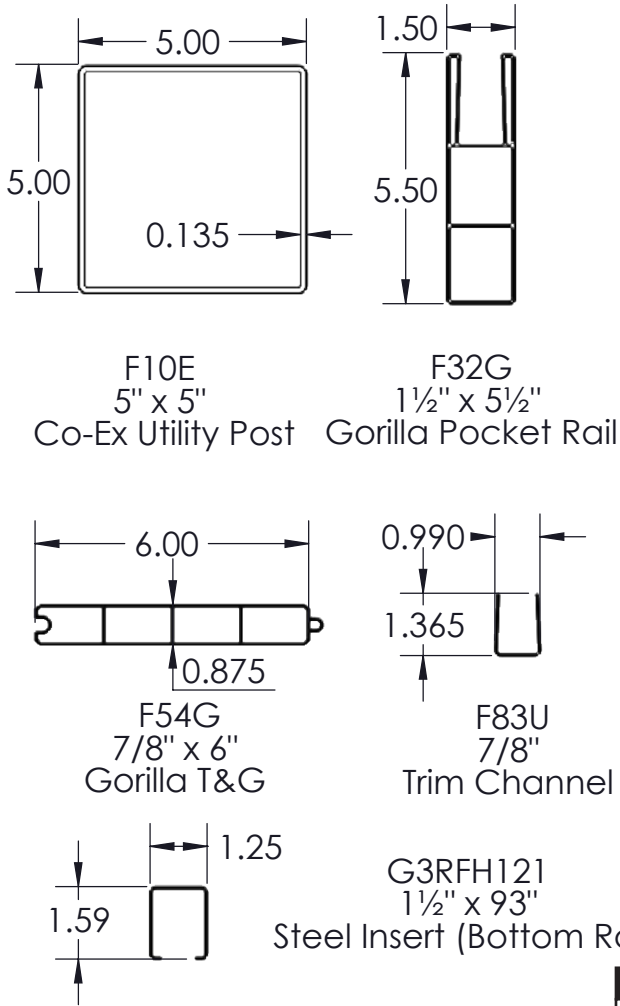
ROUTE PATTERN:

#R96

DWG NO.

HVRP-05

6'H X 8'W - 1-1/2" x 5-1/2" Gorilla Redipak - 70" Body



PLANT AVAILABILITY

TEXAS ONLY

62-1/4" T&G Bundle for 8' Rail		
346 pcs of T&G / Bundle	WHITE	F54GW62A346
	TAN	F54GT62A346
	ADOBE	F54GD62A346
1-1/2" X 5-1/2" X 94" Pocket Rail RediPak Bundle		
2 Pcs of Rail, Insert, Trim / Pack 42 Rail Packs / Bundles	WHITE	F32NW094042-S
	TAN	F32NT094042-S
	ADOBE	F32ND094042-S
5" X 5" X 108" Co-Ex Standard Post Bundle		
81 pcs of 5" x 5" x 108" Co-Ex Standard Posts / Bundle	WHITE	F10EW108081-R96
	TAN	F10ET108081-R96
	ADOBE	F10ED108081-R96

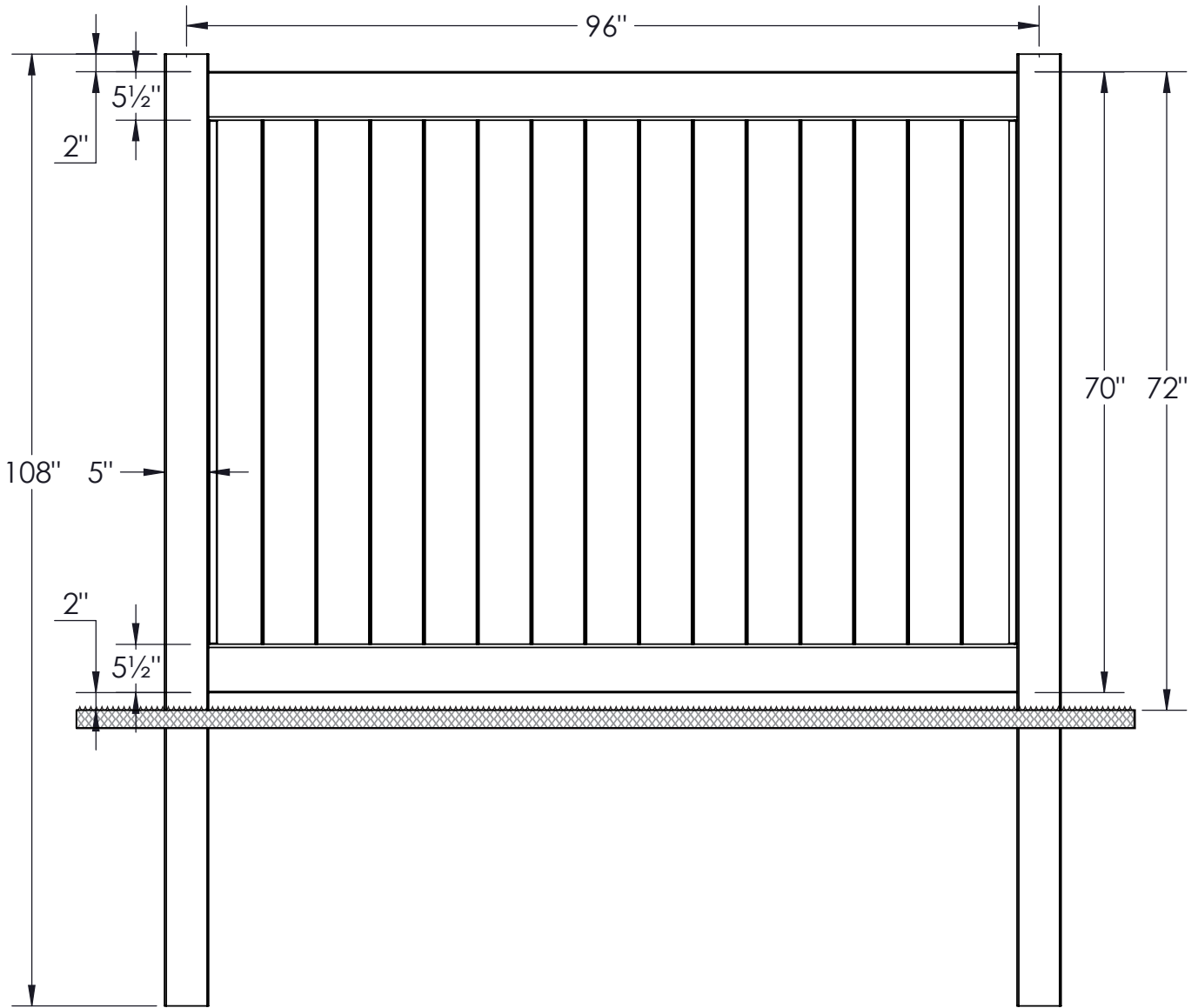
10 Rail Bundles PER TRUCK / **20** T&G Bundles PER TRUCK / **6** Post Bundles PER TRUCK



This drawing is the property of Homeland Vinyl Products, Inc. It is not to be reproduced, copied or traced in whole or in part without the written consent of Homeland Vinyl Products, Inc.

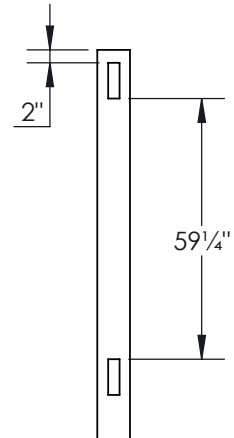
TITLE: 6'H x 8'W 1½" x 5½" Gorilla Redipak (70" Body)				
DRAWN BY: ALW	DATE: 4/29/2022	SCALE: 1 : 24	ROUTE PATTERN: #R96	DWG NO.: HVRP-05

6'H X 8'W - 1-3/4" x 5-1/2" Gorilla Redipak - 70" Body



Quantity	Item Key	Description
2	F37C	1 3/4" x 5 1/2" x 94" Gorilla Pocket Rail
15	F54G	7/8" x 6" x 62 1/4" Gorilla T&G
2	F83U	7/8" x 59 1/4" Trim Channel
2	F10E	5" x 5" x 108" Co-Ex Standard Post
1	G3RFM147	1 3/4" x 93" Steel Insert (Bottom Rail)

Route Pattern



This drawing is the property of Homeland Vinyl Products, Inc. It is not to be reproduced, copied or traced in whole or in part without the written consent of Homeland Vinyl Products, Inc.

TITLE:

6'H x 8'W 1 3/4" x 5 1/2" Gorilla Redipak
(70" Body)

DRAWN BY:

ALW

DATE:

4/29/2022

SCALE:

1 : 18

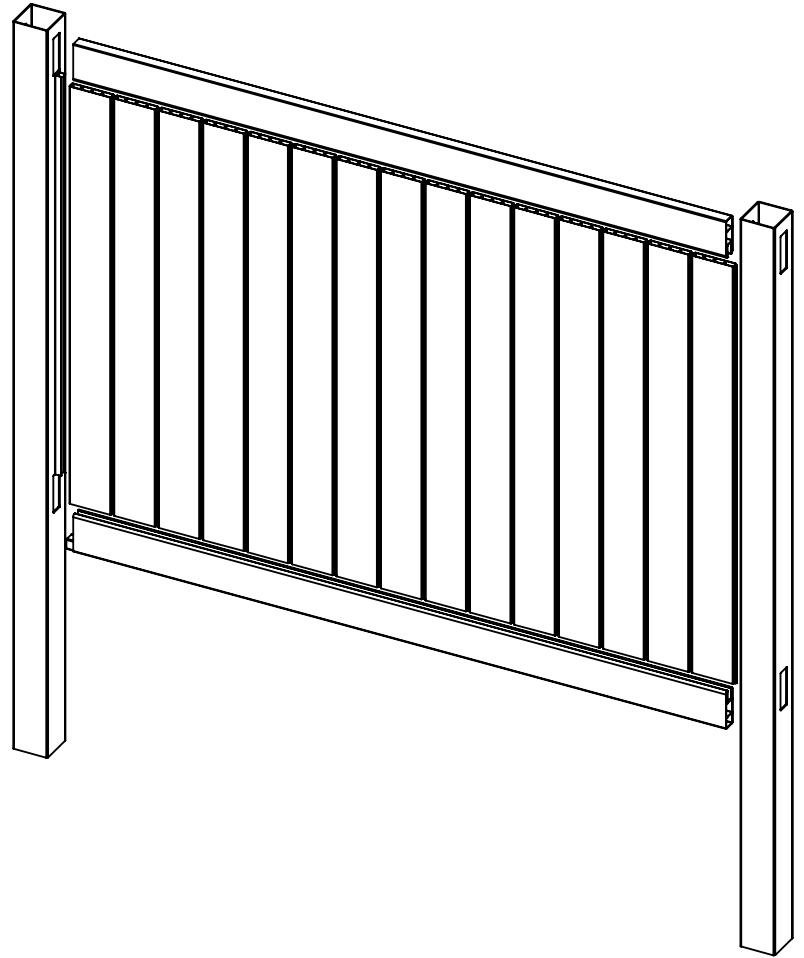
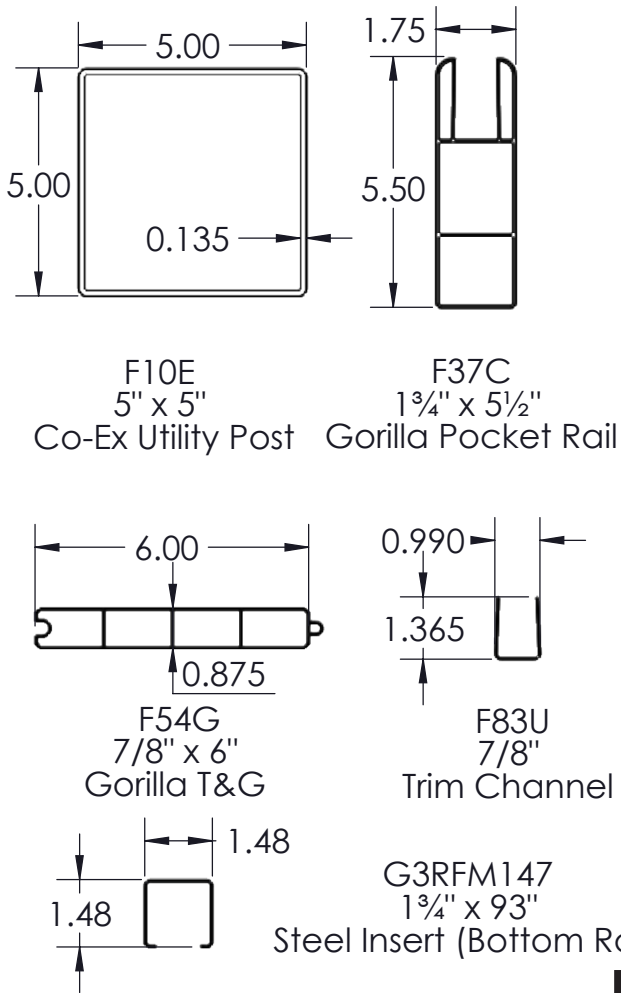
ROUTE PATTERN:

#R95

DWG. NO.:

HVRP-07

6'H X 8'W - 1-3/4" x 5-1/2" Gorilla Redipak - 70" Body



PLANT AVAILABILITY

ALABAMA ONLY

62-1/4" T&G Bundle for 8' Rail		
346 pcs of T&G / Bundle	WHITE	F54GW62A346
	TAN	F54GT62A346
	ADOBE	F54GD62A346

1-3/4" X 5-1/2" X 94" Pocket Rail RediPak Bundle		
2 Pcs of Rail, Insert, Trim / Pack 42 Rail Packs / Bundles	WHITE	F37DW094042-S
	TAN	F37DT094042-S
	ADOBE	F37DD094042-S

5" X 5" X 108" Co-Ex Standard Post Bundle		
81 pcs of 5" x 5" x 108" Co-Ex Standard Posts / Bundle	WHITE	F10EW108081-R95
	TAN	F10ET108081-R95
	ADOBE	F10ED108081-R95

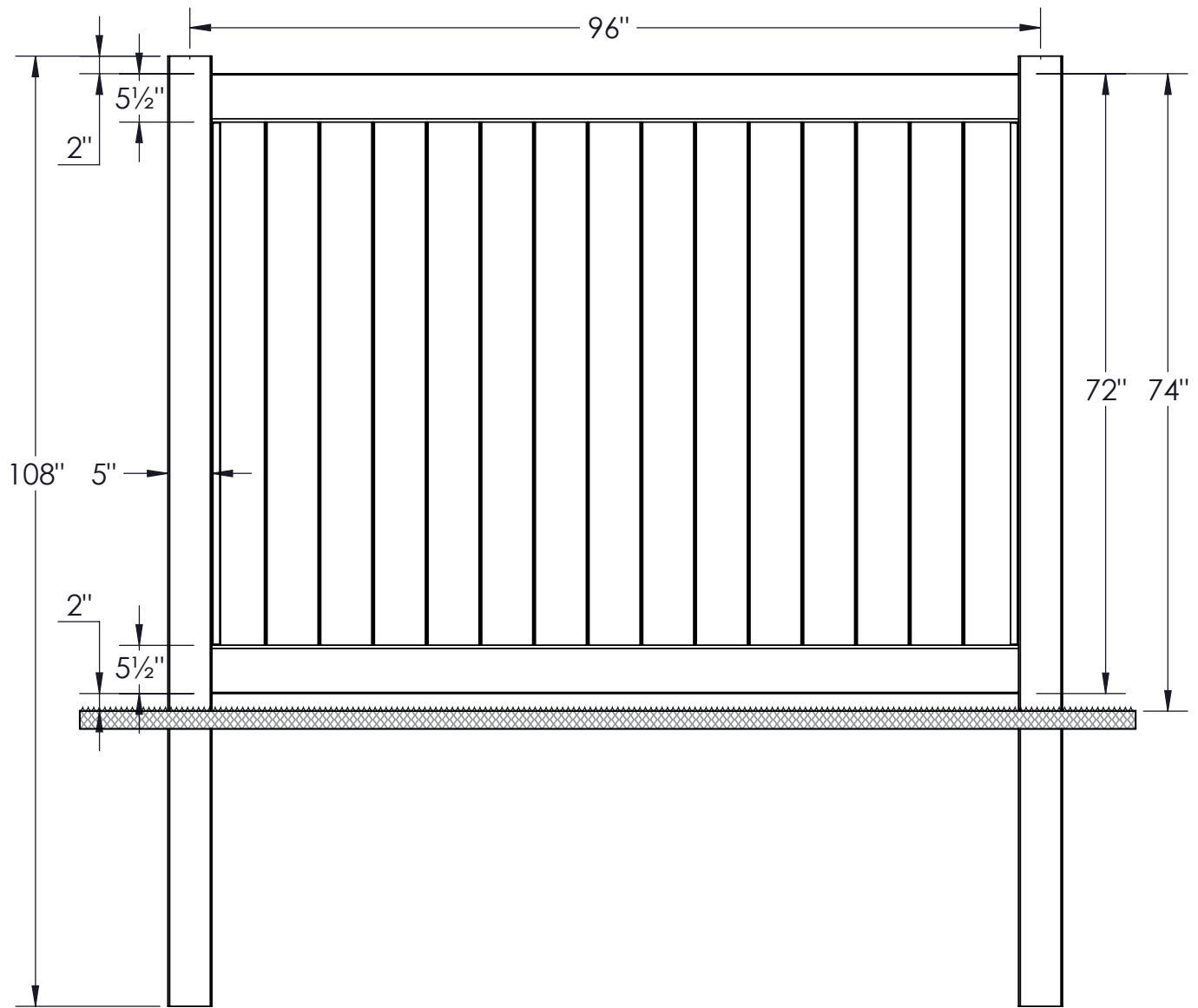
10 Rail Bundles PER TRUCK / **20** T&G Bundles PER TRUCK / **6** Post Bundles PER TRUCK



This drawing is the property of Homeland Vinyl Products, Inc. It is not to be reproduced, copied or traced in whole or in part without the written consent of Homeland Vinyl Products, Inc.

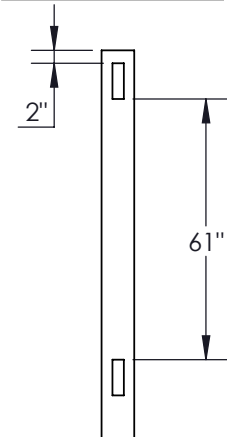
TITLE: 6'H x 8'W 1 3/4" x 5 1/2" Gorilla Redipak (70" Body)				
DRAWN BY: ALW	DATE: 4/29/2022	SCALE: 1 : 24	ROUTE PATTERN: #R95	DWG NO: HVRP-07

6'H X 8'W - 1-3/4" x 5-1/2" Gorilla Redipak - 72" Body



Quantity	Item Key	Description
2	F37C	1 3/4" x 5 1/2" x 94" Gorilla Pocket Rail
15	F54G	7/8" x 6" x 64" Gorilla T&G
2	F83U	7/8" x 60-7/8" Trim Channel
2	F10E	5" x 5" x 108" Co-Ex Standard Post
1	G3RPM147	1 3/4" x 93" Steel Insert (Bottom Rail)

Route Pattern



This drawing is the property of Homeland Vinyl Products, Inc. It is not to be reproduced, copied or traced in whole or in part without the written consent of Homeland Vinyl Products, Inc.

TITLE:

6'H x 8'W 1 3/4" x 5 1/2" Gorilla Redipak
(72" Body)

DRAWN BY:

ALW

DATE:

4/29/2022

SCALE:

1 : 18

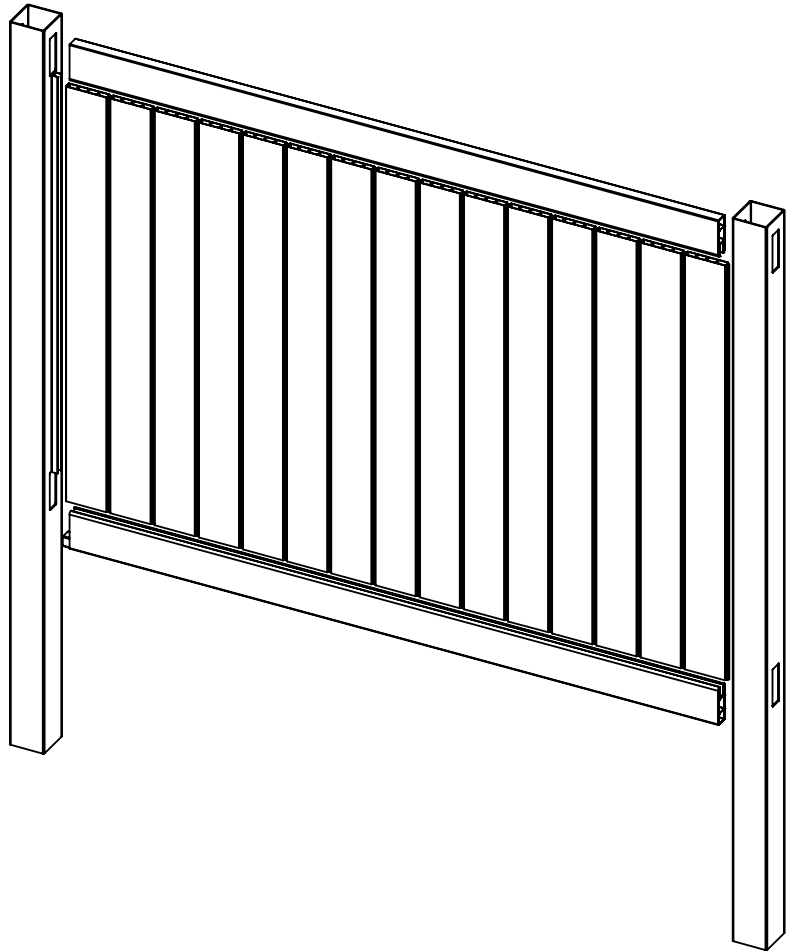
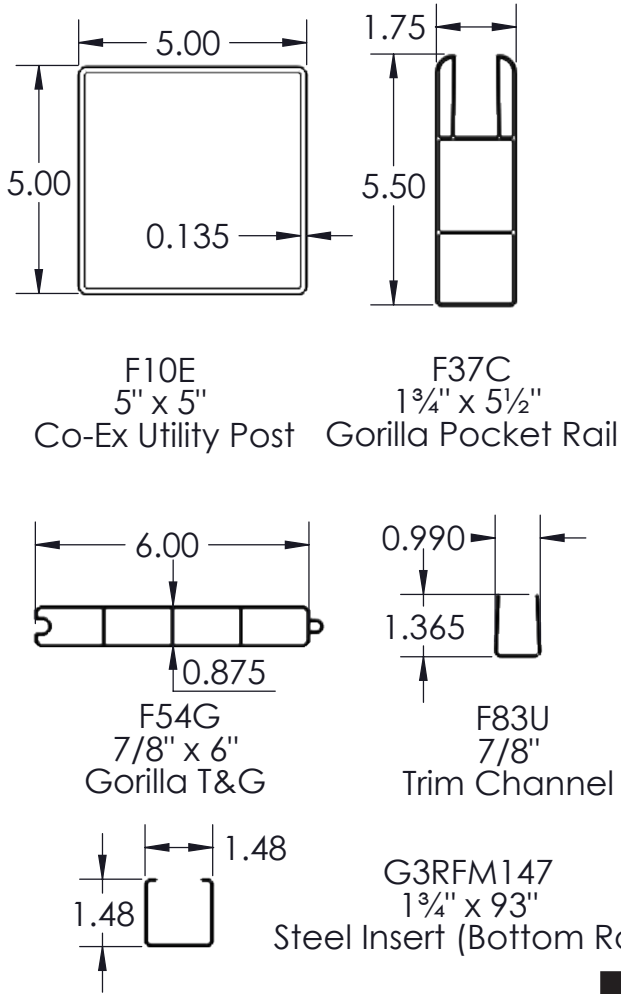
ROUTE PATTERN:

#R102

DWG NO.

HVRP-08

6'H X 8'W - 1-3/4" x 5-1/2" Gorilla Redipak - 72" Body



PLANT AVAILABILITY

**ALABAMA and
NEW JERSEY ONLY**

64" T&G Bundle for 8' Rail		
346 pcs of T&G / Bundle	WHITE	F54GW064346
	TAN	F54GT064346
	ADOBE	F54GD064346
1-3/4" X 5-1/2" X 94" Pocket Rail RediPak Bundle		
2 Pcs of Rail, Insert, Trim / Pack 42 Rail Packs / Bundles	WHITE	F37MW094042-S
	TAN	F37MT094042-S
	ADOBE	F37MD094042-S
5" X 5" X 108" Co-Ex Standard Post Bundle		
81 pcs of 5" x 5" x 108" Co-Ex Standard Posts / Bundle	WHITE	F10EW108081-R102
	TAN	F10ET108081-R102
	ADOBE	F10ED108081-R102

10 Rail Bundles PER TRUCK / **20** T&G Bundles PER TRUCK / **6** Post Bundles PER TRUCK



This drawing is the property of Homeland Vinyl Products, Inc. It is not to be reproduced, copied or traced in whole or in part without the written consent of Homeland Vinyl Products, Inc.

TITLE:

6'H x 8'W 1 3/4" x 5 1/2" Gorilla Redipak (72" Body)

DRAWN BY:

ALW

DATE:

4/29/2022

SCALE:

1 : 24

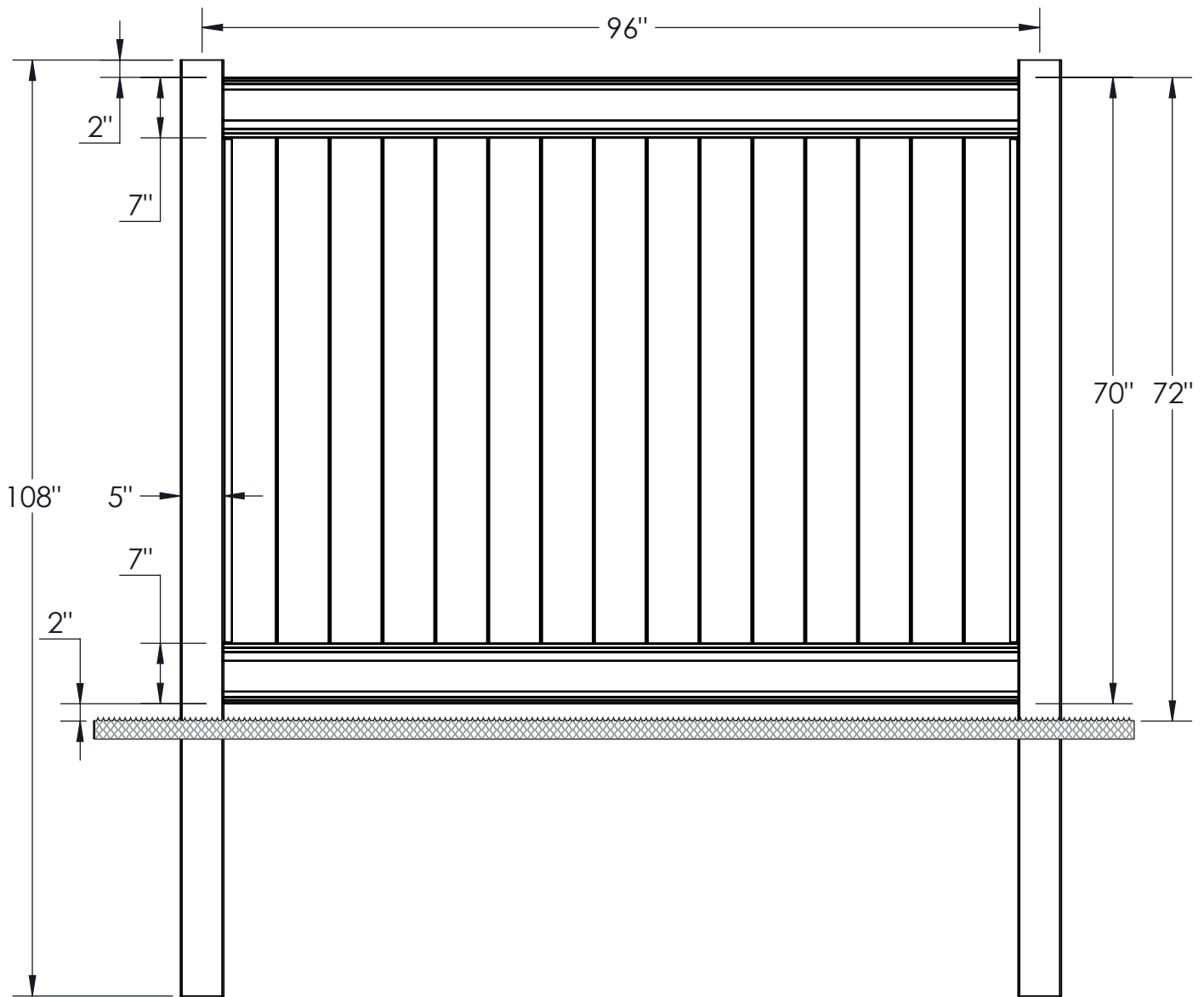
ROUTE PATTERN:

#R102

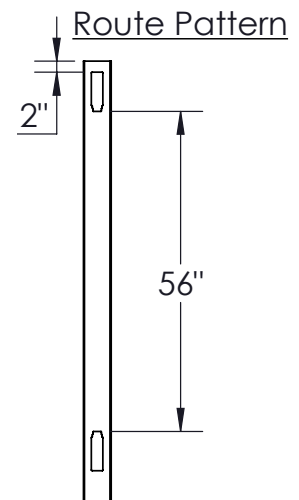
DWG NO.

HVRP-08

6'H X 8'W - 2" x 7" Nexus Redipak - 70" Body



Quantity	Item Key	Description
2	F3P2	2" x 7" x 94" Nexus Pocket Rail
15	F54G	7/8" x 6" x 59½" Gorilla T&G
2	F83U	7/8" x 56" Trim Channel
2	F10E	5" x 5" x 108" Co-Ex Standard Post
1	G3RFH148	2" x 93" Steel Insert (Bottom Rail)



This drawing is the property of Homeland Vinyl Products, Inc. It is not to be reproduced, copied or traced in whole or in part without the written consent of Homeland Vinyl Products, Inc.

TITLE:

6'H x 8'W 2" x 7" Nexus Redipak
(70" Body)

DRAWN BY:

ALW

DATE:

9/23/2022

SCALE:

1 : 18

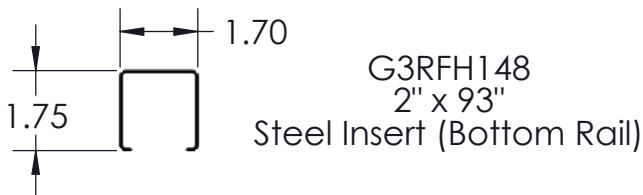
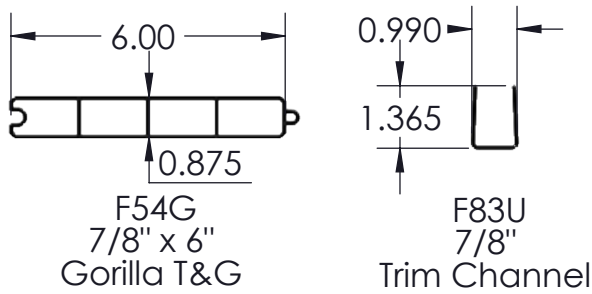
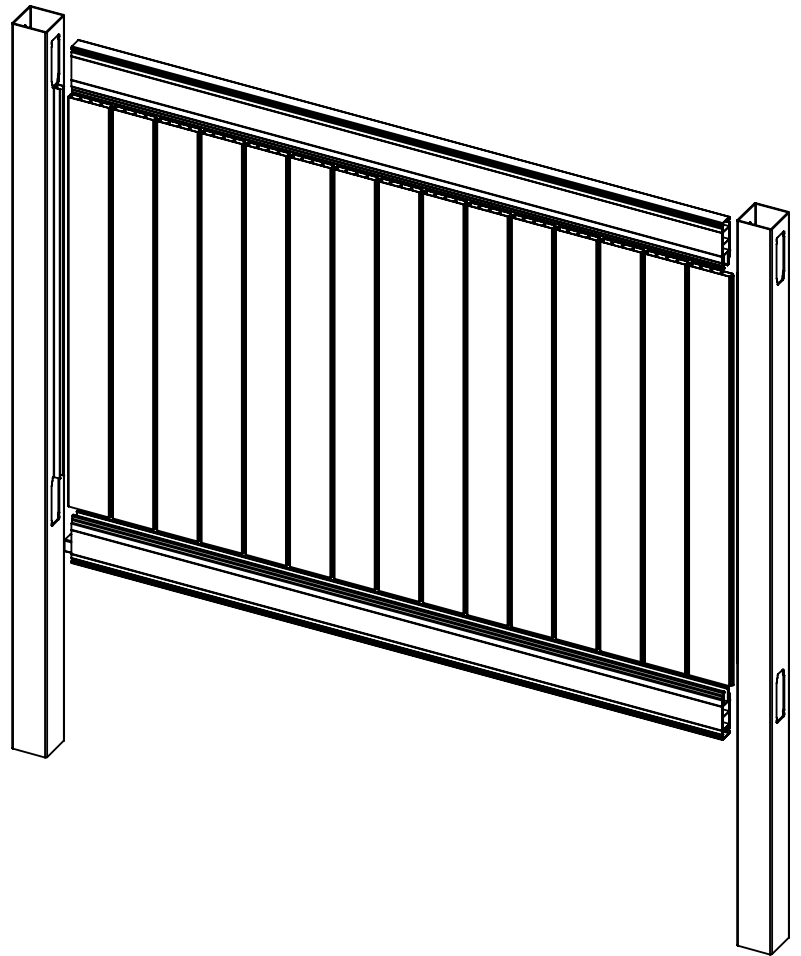
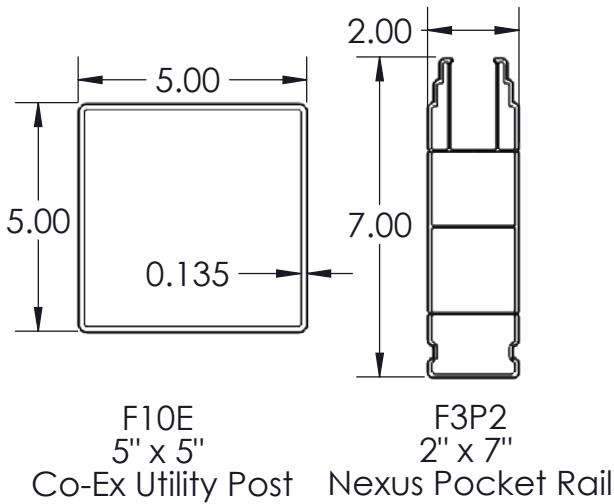
ROUTE PATTERN:

#R123

DWG NO.

HVRP-11

6'H X 8'W - 2" x 7" Nexus Redipak - 70" Body



PLANT AVAILABILITY

ALABAMA ONLY

59-1/2" T&G Bundle for 8' Rail		
346 pcs of T&G / Bundle	WHITE	F54GW59B346
	TAN	F54GT59B346
	ADOBE	F54GD59B346
2" X 7" X 94" Pocket Rail RediPak Bundle		
2 Pcs of Rail, Insert (Tan & Adobe only), Trim / Pack 33 Rail Packs / Bundles	WHITE	F3PPW094033
	TAN	F3PPT094033-S
	ADOBE	F3PPD094033-S
5" X 5" X 108" Co-Ex Standard Post Bundle		
81 pcs of 5" x 5" x 108" Co-Ex Standard Posts / Bundle	WHITE	F10EW108081-R123
	TAN	F10ET108081-R123
	ADOBE	F10ED108081-R123

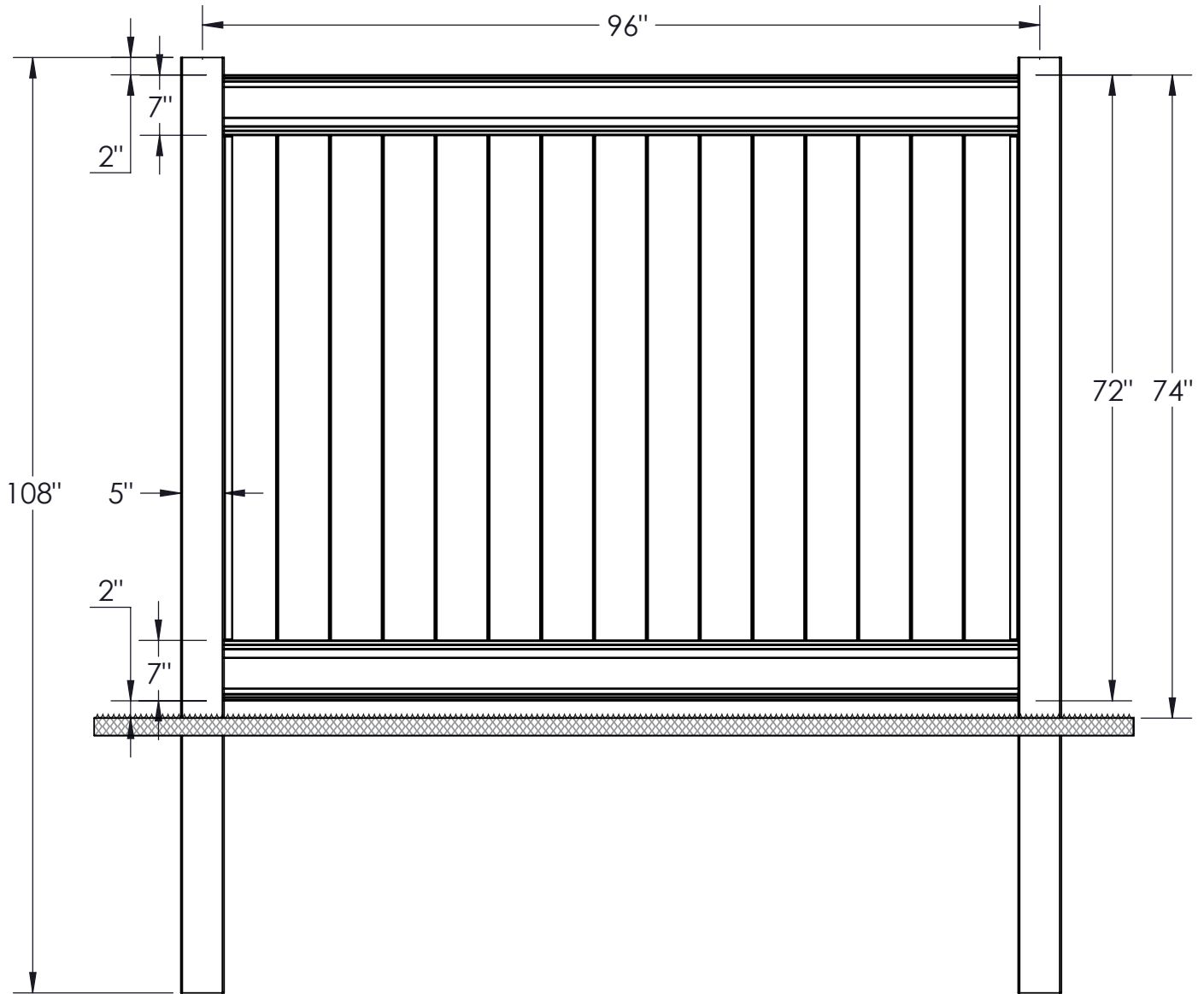
10 Rail Bundles PER TRUCK / **20** T&G Bundles PER TRUCK / **5** Post Bundles PER TRUCK
48' TRUCK



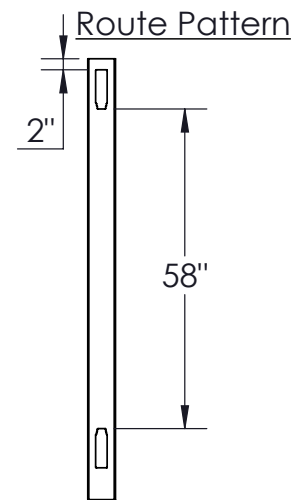
This drawing is the property of Homeland Vinyl Products, Inc. It is not to be reproduced, copied or traced in whole or in part without the written consent of Homeland Vinyl Products, Inc.

TITLE: 6'H x 8'W 2" x 7" Nexus Redipak (70" Body)				
DRAWN BY: ALW	DATE: 9/23/2022	SCALE: 1 : 24	ROUTE PATTERN: #R123	DWG NO.: HVRP-11

6'H X 8'W - 2" x 7" Nexus Redipak - 72" Body



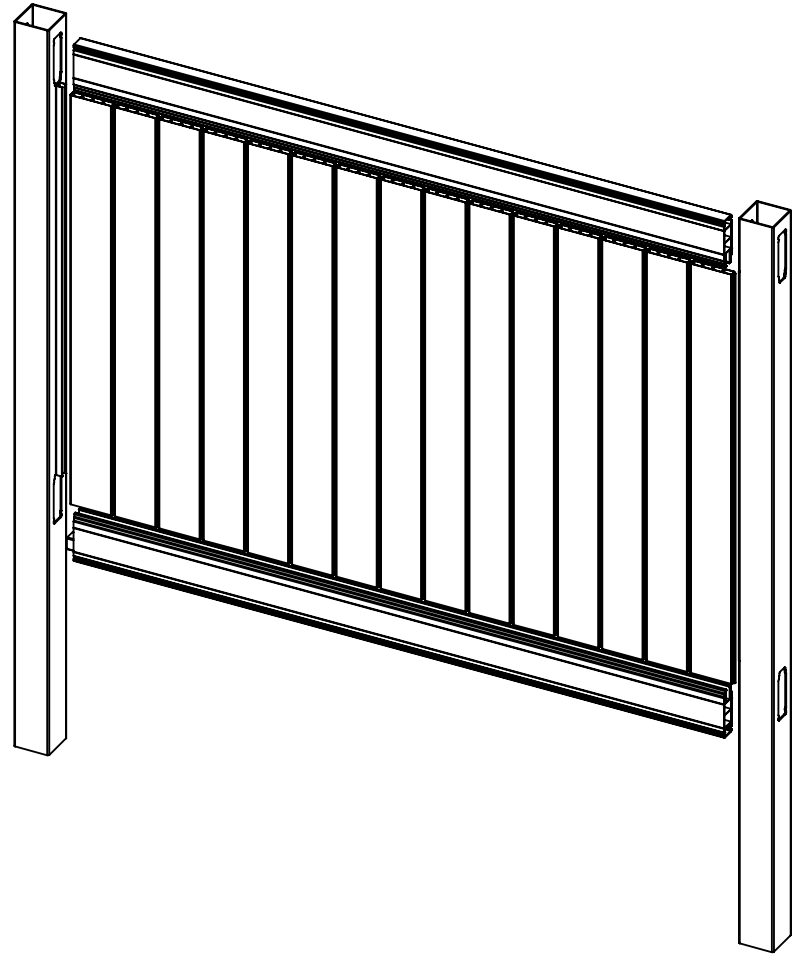
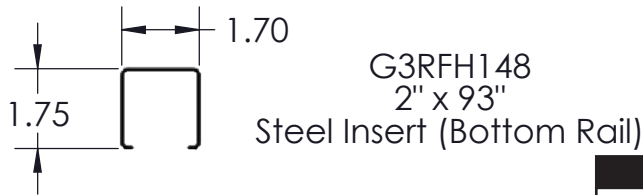
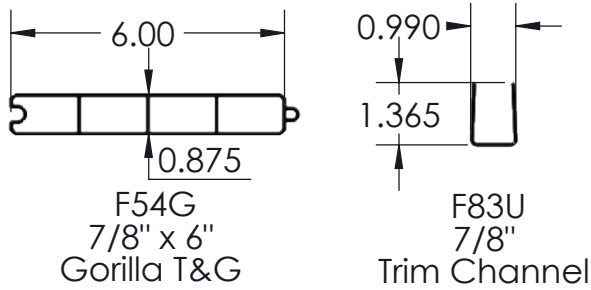
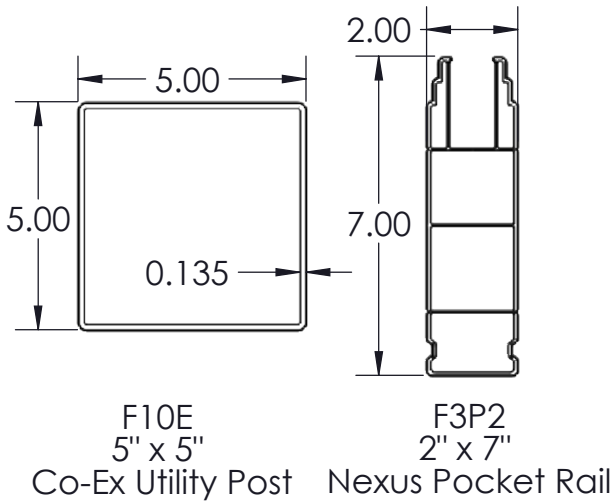
Quantity	Item Key	Description
2	F3P2	2" x 7" x 94" Nexus Pocket Rail
15	F54G	7/8" x 6" x 61" Gorilla T&G
2	F83U	7/8" x 58" Trim Channel
2	F10E	5" x 5" x 108" Co-Ex Standard Post
1	G3RFH148	2" x 93" Steel Insert (Bottom Rail)



This drawing is the property of Homeland Vinyl Products, Inc. It is not to be reproduced, copied or traced in whole or in part without the written consent of Homeland Vinyl Products, Inc.

TITLE:		6'H x 8'W 2" x 7" Nexus Redipak (72" Body)			
DRAWN BY:	DATE:	SCALE:	ROUTE PATTERN	DWG. NO.	
ALW	4/29/2022	1 : 18	#R122	HVRP-09	

6'H X 8'W - 2" x 7" Nexus Redipak - 72" Body



PLANT AVAILABILITY

**NEW JERSEY
ONLY**

61" T&G Bundle for 8' Rail

346 pcs of T&G / Bundle	WHITE	F54GW061346
	TAN	F54GT061346
	ADOBE	F54GD061346

2" X 7" X 94" Pocket Rail RediPak Bundle

2 Pcs of Rail, Insert (Tan & Adobe only), Trim / Pack 33 Rail Packs / Bundles	WHITE	F3PPW094033
	TAN	F3PPT094033-S
	ADOBE	F3PPD094033-S

5" X 5" X 108" Co-Ex Standard Post Bundle

81 pcs of 5" x 5" x 108" Co-Ex Standard Posts / Bundle	WHITE	F10EW108081-R122
	TAN	F10ET108081-R122
	ADOBE	F10ED108081-R122

10 Rail Bundles PER TRUCK / **20** T&G Bundles PER TRUCK / **5** Post Bundles PER TRUCK
48' TRUCK



This drawing is the property of Homeland Vinyl Products, Inc. It is not to be reproduced, copied or traced in whole or in part without the written consent of Homeland Vinyl Products, Inc.

TITLE:

6'H x 8'W 2" x 7" Nexus Redipak
(72" Body)

DRAWN BY:

ALW

DATE:

4/29/2022

SCALE:

1 : 24

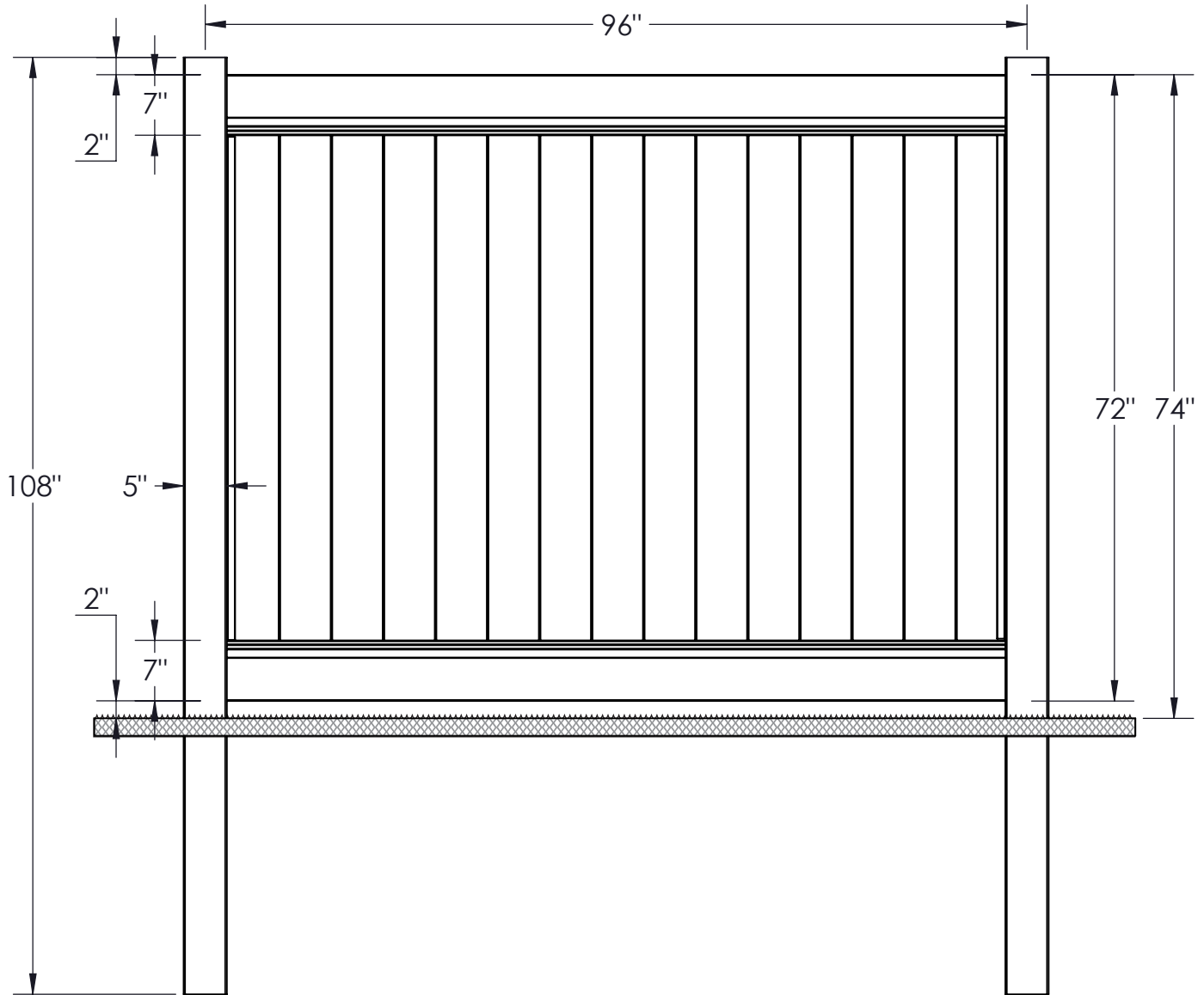
ROUTE PATTERN:

#R122

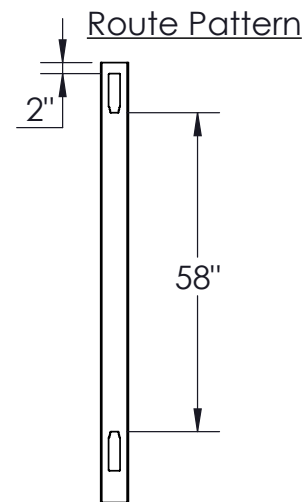
DWG NO.

HVRP-09

6'H X 8'W - 2" x 7" Sun Pocket Rail Redipak - 72" Body



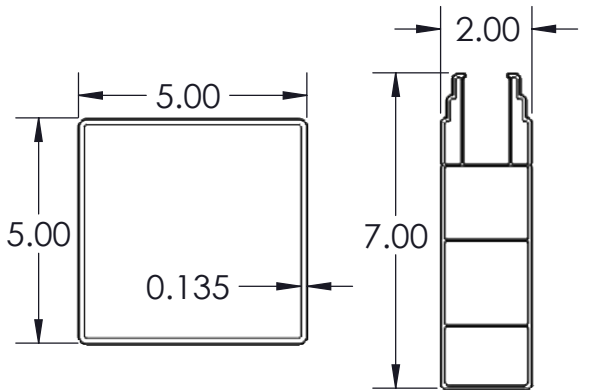
Quantity	Item Key	Description
2	FFS7	2" x 7" x 94" Sun Pocket Rail
15	F54G	7/8" x 6" x 61" Gorilla T&G
2	F83U	7/8" x 58" Trim Channel
2	F10E	5" x 5" x 108" Co-Ex Standard Post
1	G3RFH148	2" x 93" Steel Insert (Bottom Rail)



This drawing is the property of Homeland Vinyl Products, Inc. It is not to be reproduced, copied or traced in whole or in part without the written consent of Homeland Vinyl Products, Inc.

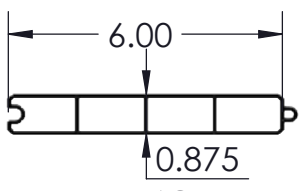
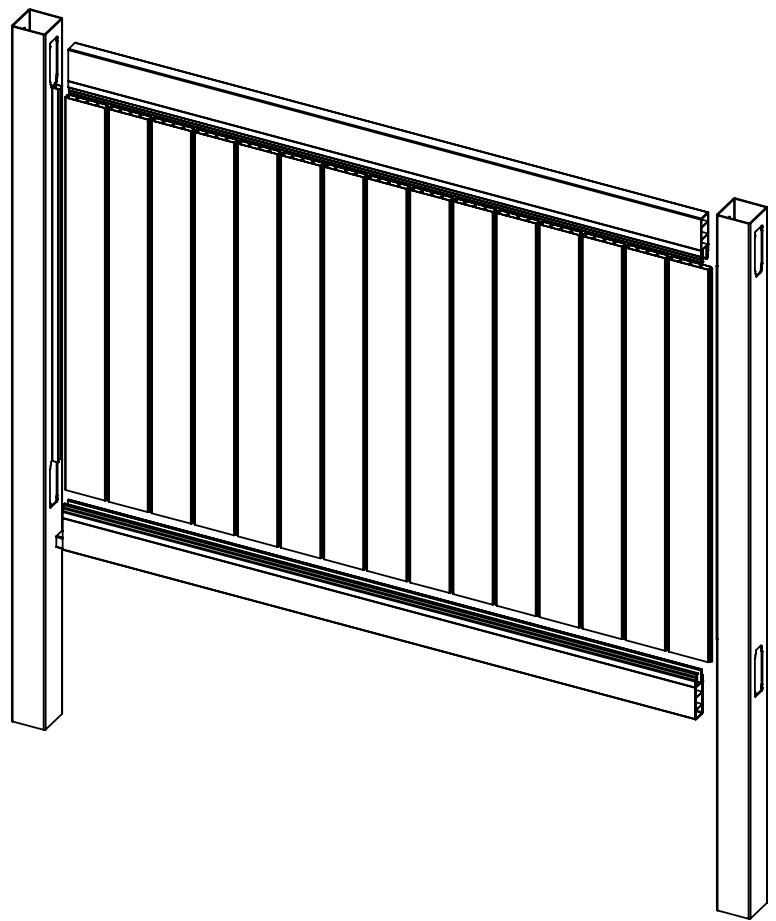
TITLE:		6'H x 8'W 2" x 7" Sun Redipak (72" Body)			
DRAWN BY:	DATE:	SCALE:	ROUTE PATTERN:	DWG NO.:	
ALW	8/10/2022	1 : 18	#R122	HVRP-10	

6'H X 8'W - 2" x 7" Sun Pocket Rail Redipak - 72" Body

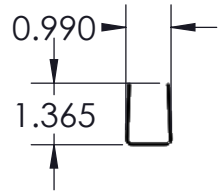


F10E
5" x 5"
Co-Ex Utility Post

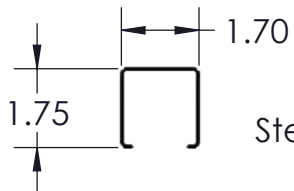
FFS7
2" x 7"
Sun Pocket Rail



F54G
7/8" x 6"
Gorilla T&G



F83U
7/8"
Trim Channel



G3RFH148
2" x 93"
Steel Insert (Bottom Rail)

PLANT AVAILABILITY

NEW JERSEY ONLY

61" T&G Bundle for 8' Rail		
346 pcs of T&G / Bundle	WHITE	F54GW061346
	TAN	F54GT061346
	ADOBE	F54GD061346

2" X 7" X 94" Pocket Rail RediPak Bundle		
2 Pcs of Rail, Insert (Tan & Adobe only), Trim / Pack 33 Rail Packs / Bundles	WHITE	FFSPW094033
	TAN	FFSPT094033-S
	ADOBE	FFSPD094033-S

5" X 5" X 108" Co-Ex Standard Post Bundle		
81 pcs of 5" x 5" x 108" Co-Ex Standard Posts / Bundle	WHITE	F10EW108081-R122
	TAN	F10ET108081-R122
	ADOBE	F10ED108081-R122

10 Rail Bundles PER TRUCK / **20** T&G Bundles PER TRUCK / **5** Post Bundles PER TRUCK
48' TRUCK



This drawing is the property of Homeland Vinyl Products, Inc. It is not to be reproduced, copied or traced in whole or in part without the written consent of Homeland Vinyl Products, Inc.

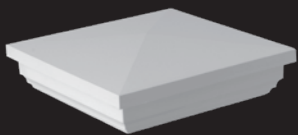
TITLE: 6'H x 8'W 2" x 7" Sun Redipak (72" Body)				
DRAWN BY: ALW	DATE: 8/10/2022	SCALE: 1 : 24	ROUTE PATTERN: #R122	DWG NO: HVRP-10

Ranch Rail Program

Homeland Vinyl Products, Inc.

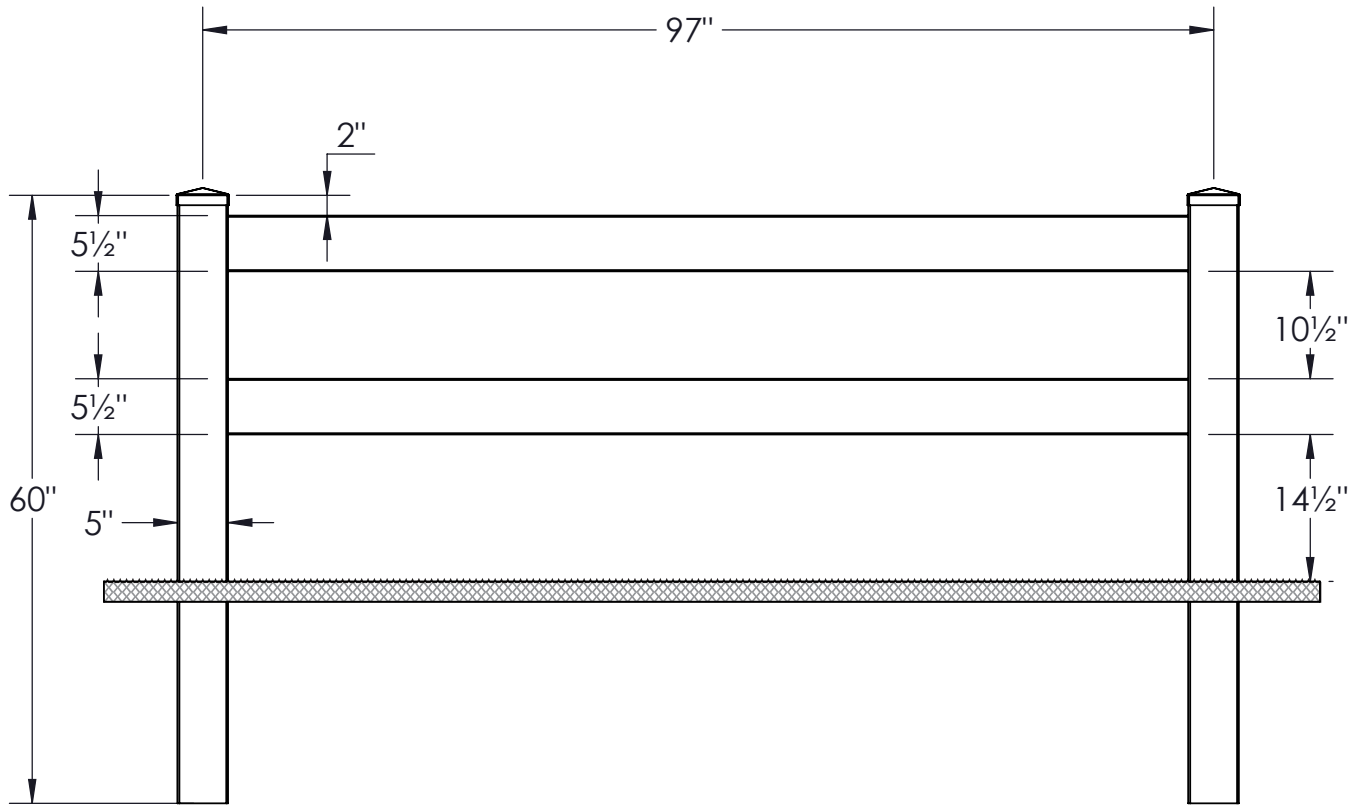


Waymark Accessories can add extra value. Add a decorative cap or even solar lighting to Ranch Rail. Metal and Tiffany style tops are also available to add a more elegant appearance.



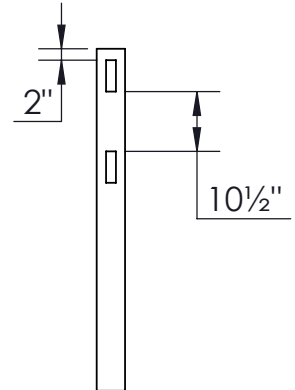
WaymarkProducts.com

1-1/2" x 5-1/2" Two Ranch Rail RediPak



Quantity	Item Key	Description
2	C55PYRA	5" x 5" External Pyramid Post Cap
2	F27M	1 1/2" x 5 1/2" x 97" Co-Ex Utility Value Rail
2	F10J	5" x 5" x 60" Co-Ex Utility Ranch Post
Ranch Rail RediPak HVP Bundle Item Keys		

Route Pattern



This drawing is the property of Homeland Vinyl Products, Inc. It is not to be reproduced, copied or traced in whole or in part without the written consent of Homeland Vinyl Products, Inc.

TITLE:

1 1/2" x 5 1/2" Two Ranch Rail RediPak

DRAWN BY:

ALW

DATE:

4/29/2022

SCALE:

1 : 18

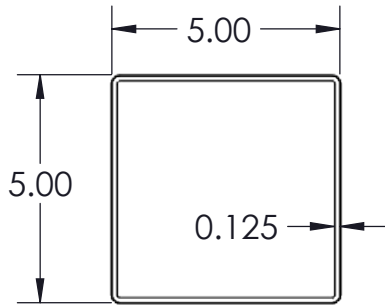
ROUTE PATTERN:

#R23

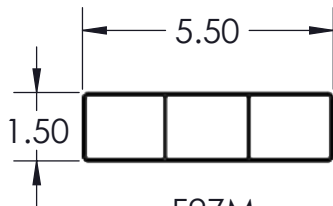
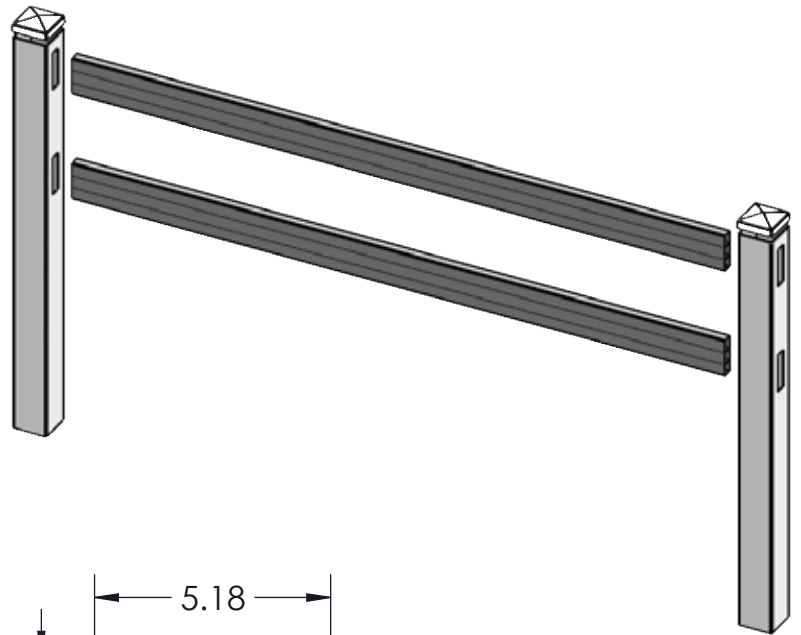
DWG NO.:

HVRR-10

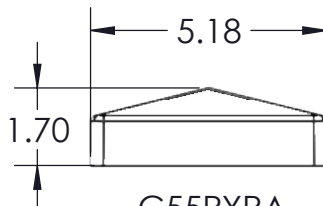
1-1/2" x 5-1/2" Two Ranch Rail RediPak



F10J
5" x 5"
Co-Ex Utility Ranch Post



F27M
1 1/2" x 5 1/2"
Co-Ex Utility Value Rail



C55PYRA
5" x 5"
External Pyramid Post Cap

PLANT AVAILABILITY

**ALABAMA and TEXAS
ONLY**

12 Rail Bundles PER TRUCK / **14** Post Bundles PER TRUCK
48' TRUCK ●●



This drawing is the property of Homeland Vinyl Products, Inc. It is not to be reproduced, copied or traced in whole or in part without the written consent of Homeland Vinyl Products, Inc.

TITLE:

1 1/2" x 5 1/2" Two Ranch Rail RediPak

DRAWN BY:

ALW

DATE:

4/29/2022

SCALE:

1 : 24

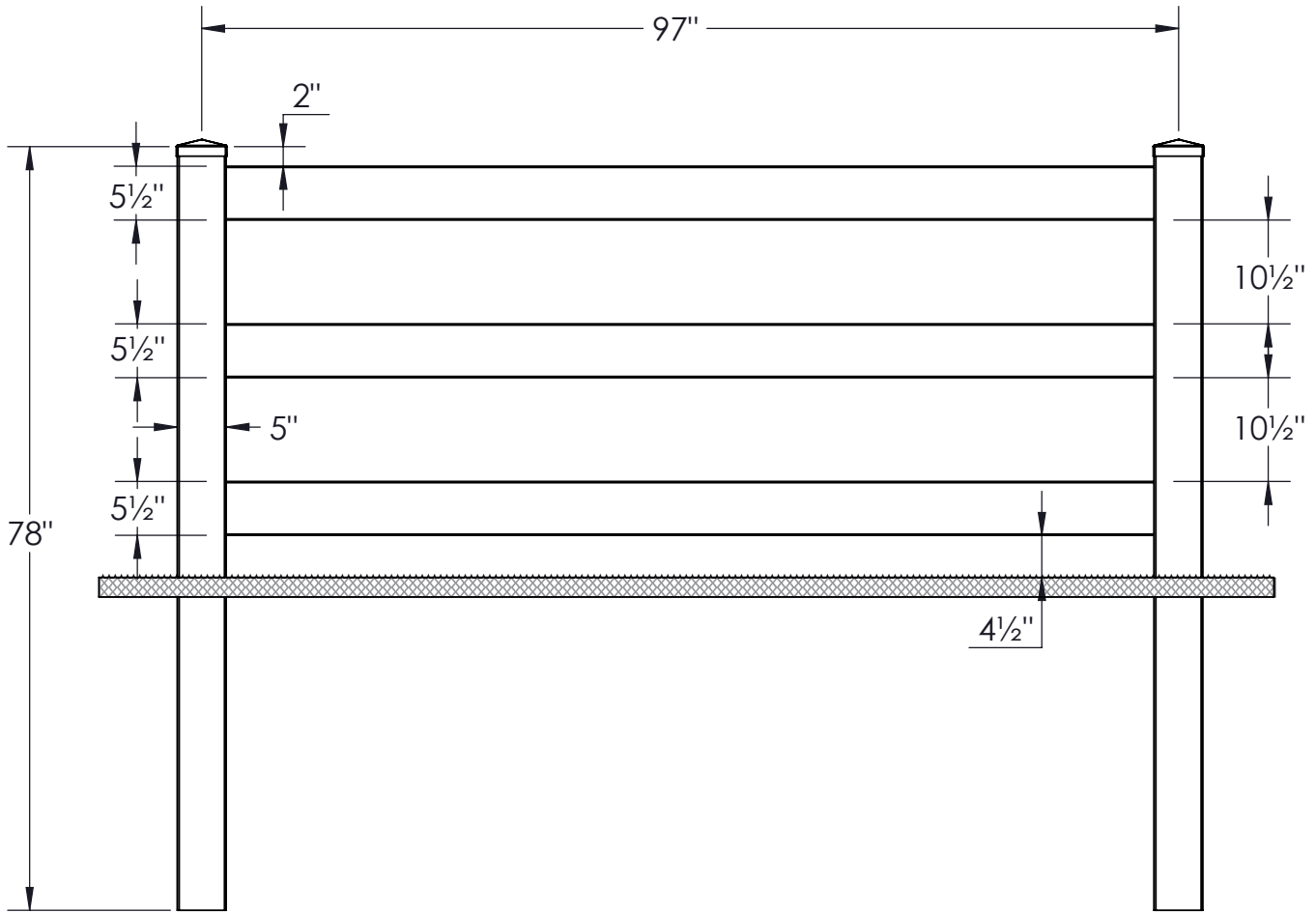
ROUTE PATTERN:

#R23

DWG NO.

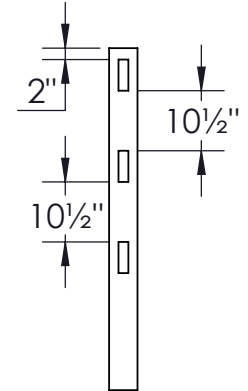
HVRR-10

1-1/2" x 5-1/2" Three Ranch Rail RediPak



Quantity	Item Key	Description
2	C55PYRA	5" x 5" External Pyramid Post Cap
3	F27M	1 1/2" x 5 1/2" x 97" Co-Ex Utility Value Rail
2	F10J	5" x 5" x 78" Co-Ex Utility Ranch Post
Ranch Rail RediPak HVP Bundle Item Keys		

Route Pattern



This drawing is the property of Homeland Vinyl Products, Inc. It is not to be reproduced, copied or traced in whole or in part without the written consent of Homeland Vinyl Products, Inc.

TITLE:

1 1/2" x 5 1/2" Three Ranch Rail RediPak

DRAWN BY:

ALW

DATE:

5/2/2022

SCALE:

1 : 18

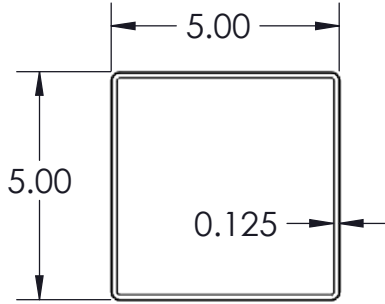
ROUTE PATTERN:

#R14

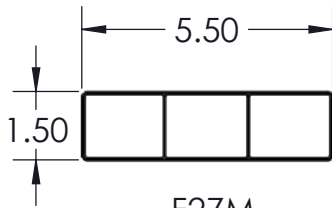
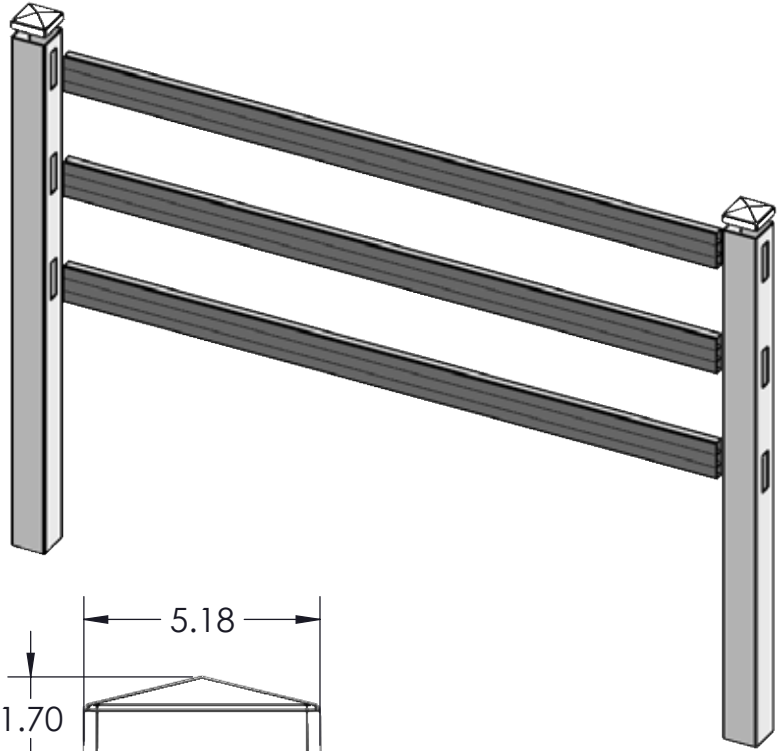
DWG NO.:

HVRR-11

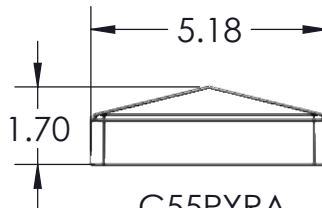
1-1/2" x 5-1/2" Three Ranch Rail RediPak



F10J
5" x 5"
Co-Ex Utility Ranch Post



F27M
1 1/2" x 5 1/2"
Co-Ex Utility Value Rail



C55PYRA
5" x 5"
External Pyramid Post Cap

PLANT AVAILABILITY

**ALABAMA and TEXAS
ONLY**

12 Rail Bundles / **14** Post Bundles
PER TRUCK PER TRUCK
48' TRUCK ●●



This drawing is the property of Homeland Vinyl Products, Inc. It is not to be reproduced, copied or traced in whole or in part without the written consent of Homeland Vinyl Products, Inc.

TITLE:

1 1/2" x 5 1/2" Three Ranch Rail RediPak

DRAWN BY:

ALW

DATE:

5/2/2022

SCALE:

1 : 24

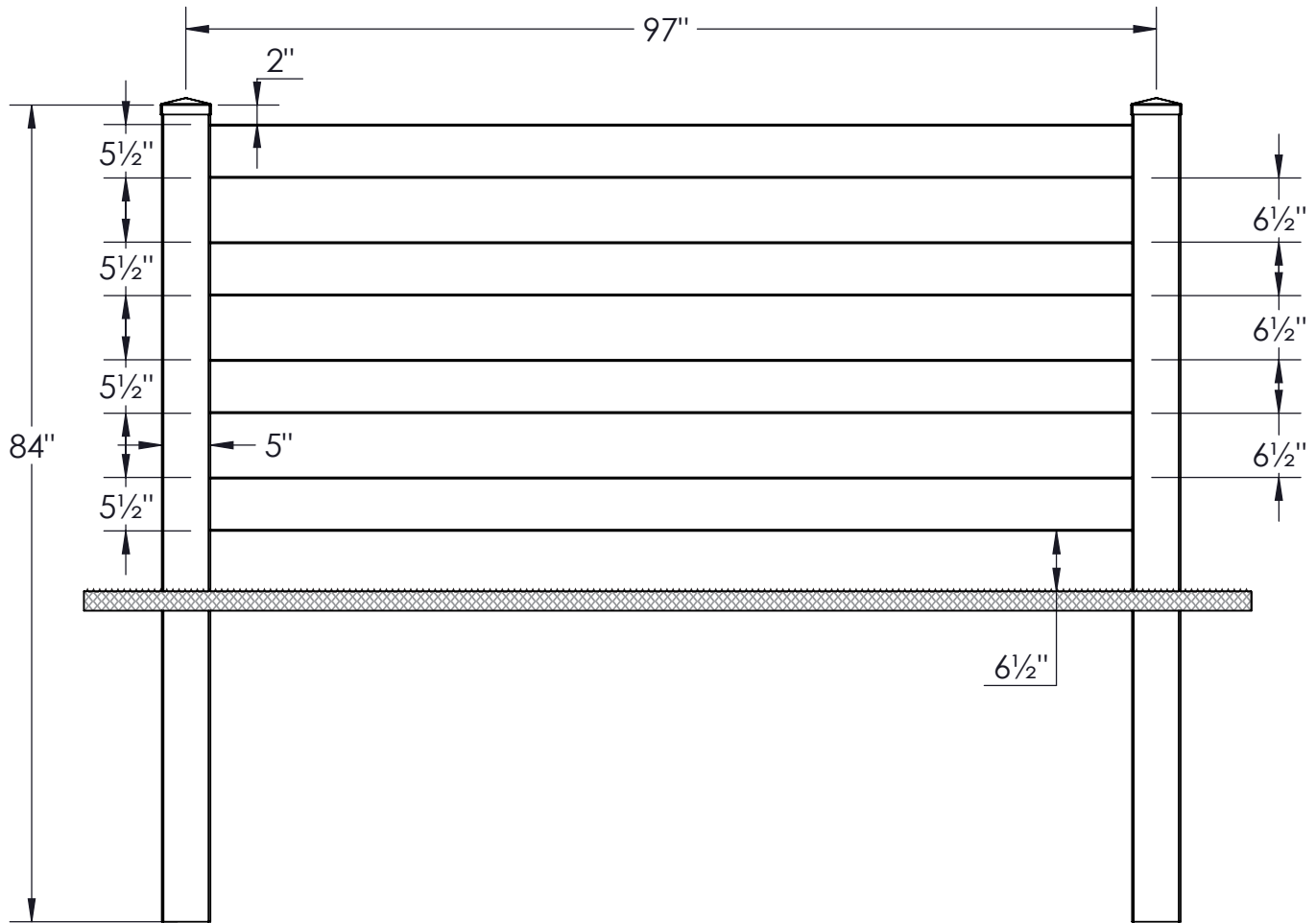
ROUTE PATTERN:

#R14

DWG NO.

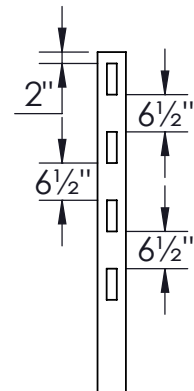
HVRR-11

1-1/2" x 5-1/2" Four Ranch Rail RediPak



Quantity	Item Key	Description
2	C55PYRA	5" x 5" External Pyramid Post Cap
4	F27M	1 1/2" x 5 1/2" x 97" Co-Ex Utility Value Rail
2	F10J	5" x 5" x 84" Co-Ex Utility Ranch Post
Ranch Rail RediPak HVP Bundle Item Keys		

Route Pattern



This drawing is the property of Homeland Vinyl Products, Inc. It is not to be reproduced, copied or traced in whole or in part without the written consent of Homeland Vinyl Products, Inc.

TITLE:

1 1/2" x 5 1/2" Four Ranch Rail RediPak

DRAWN BY:

ALW

DATE:

5/2/2022

SCALE:

1 : 18

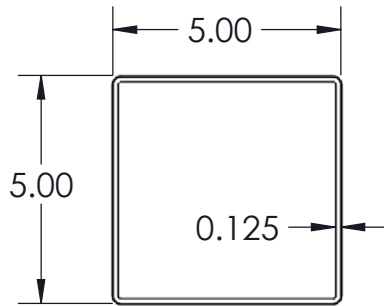
ROUTE PATTERN:

#R15

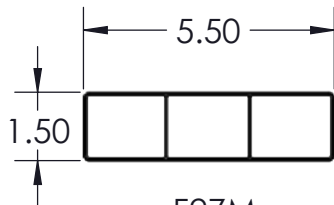
DWG NO.:

HVRR-12

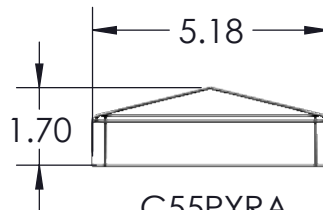
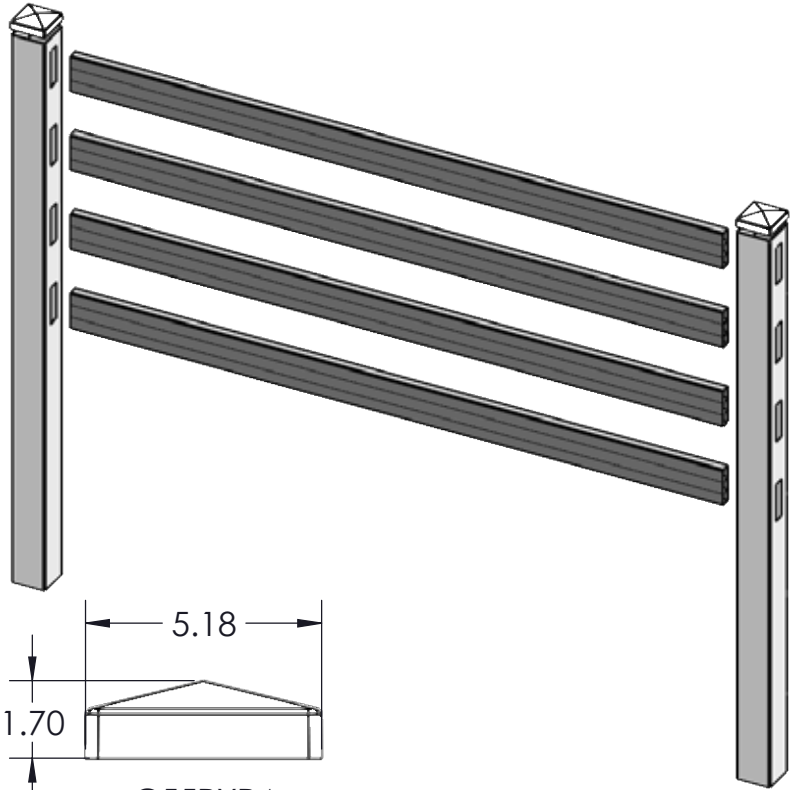
1-1/2" x 5-1/2" Four Ranch Rail RediPak



F10J
5" x 5"
Co-Ex Utility Ranch Post



F27M
1 1/2" x 5 1/2"
Co-Ex Utility Value Rail



C55PYRA
5" x 5"
External Pyramid Post Cap

PLANT AVAILABILITY

**ALABAMA and TEXAS
ONLY**

12 Rail Bundles / **14** Post Bundles
PER TRUCK PER TRUCK
48' TRUCK ●●



This drawing is the property of Homeland Vinyl Products, Inc. *It is not to be reproduced, copied or traced in whole or in part without the written consent of Homeland Vinyl Products, Inc.*

TITLE:

1 1/2" x 5 1/2" Four Ranch Rail RediPak

DRAWN BY:

ALW

DATE:

5/2/2022

SCALE:

1 : 24

ROUTE PATTERN:

#R15

DWG NO.

HVRR-12