

## After Purchase Vinyl Care:

Follow proper installation instructions.

Avoid exposure of any vinyl to unusual or excessive heat sources (e.g., outdoor fire pits, grills, glass window or glass door reflections) or installation adjacent to areas that may absorb heat such as concrete, asphalt, or dark-colored gravel.

Darker colors, such as Mocha Walnut, may become hot to the touch after prolonged exposure to direct sunlight. This effect can be mitigated with umbrellas, awnings or other shade producing fixtures.

Loose dirt can be cleaned with mild soap and water. Any cleaning products should be tested in an inconspicuous area before being applied on the full vinyl surface.

Do NOT paint the PVC.

Spray-on sunscreen or bug spray products may cause discoloration of the product surface. It is recommended that such products be applied either indoors, off the deck, away from fence and rail, or in such a manner that oversprayed product will not come in contact with the vinyl.

Download Instructions and Literature at:  
<http://homelandvinyl.com/resources/documents/>



## Fence Fabrication Guidelines



Homeland offers 3 levels of Fence Colors:

**LIGHT:** White, Tan

**MEDIUM:** Sand, Adobe, Aspen Latte, Gray

**DARK:** Dark Gray, Chai Gray, Ash Gray, Green Teak,  
Mocha Walnut, Honey Maple

These guidelines are for all levels of fence colors, with additional guidelines added for Medium and Dark colors at the end.

### *Prior to Installation*

1. Do not use any clear wrapping or shrink wrap on fence for storage or transportation. Make sure any wrap or protection of the fence or profiles does not absorb and retain heat. It will cause warping.
2. Do not store or install product next to a heat source.
3. Avoid installing the product near reflective surfaces (e.g. glass windows and glass doors), which can concentrate sunlight and heat the product.
4. Avoid installing the product on or adjacent to concrete, asphalt, or dark-colored gravel.

### *Installation:*

5. Make sure all metal stiffeners are in the correct orientation for the rail as used.

6. Make sure all rails are notched.

7. U-channel trim must be screwed to the post to help stabilize T&G boards. Please refer to HVP Privacy Fence Installation Guide for placement

8. Product expansion and contraction is temperature dependent and will vary more in longer lengths and darker colors. Please take this into account during installation.

- Make sure rail ends have at least 1 inch clearance of each other when inserted into posts for 6' spans, and at least 1.5 inch clearance on 8' spans. This will allow for adequate expansion and contraction of rails within the posts and prevent bowing.
- Make sure pickets are cut for adequate clearance within the rail pocket to allow for thermal expansion. If the pickets are binding against the rail, they will cause excessive bowing with thermal expansion.
- When dealing with installation on slopes, ensure that there is adequate clearance for pickets inside of the rail and cut picket at a slight angle if necessary.

9. Do not put dirt or mulch against rails. It could cause rails to permanently bow out.

**In addition to guidelines 1-9, please consider the following information regarding HVP Medium and Dark colored products:**

**10. Medium Colors:**

• For Horizontal installations, HVP approved metal picket stiffeners must be used to reduce T&G bowing.

**11. Dark Colors:**

Scratches will be more evident in darker colors. Use caution when transporting and installing the products. HVP approved metal stiffeners must be used in all rails.

• For Vertical installations, Midrail or HVP approved metal picket stiffeners must be used to reduce T&G bowing.

• For Horizontal installations, HVP approved metal picket stiffeners must be used to reduce T&G bowing.

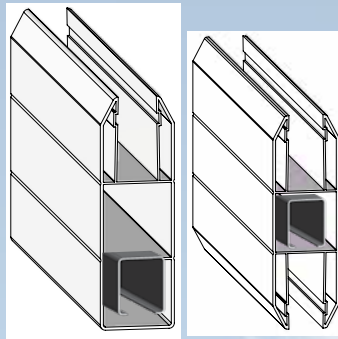
12. HVP does not recommend installing horizontal sections wider than 6' on center.

Homeland Vinyl Products does not warranty bowing of pickets. Please make sure of proper installation to reduce all of the factors mentioned.

## Proper Insert Placement & Orientation Is Important !

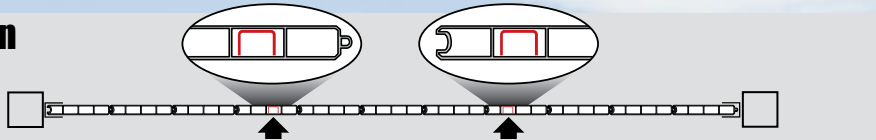
### A. 5-1/2", 7" and 8" Nexus or Gorilla Pocket Rail & Mid-Rail

Proper steel insert orientation shown for bottom rail. Reverse for top rail.

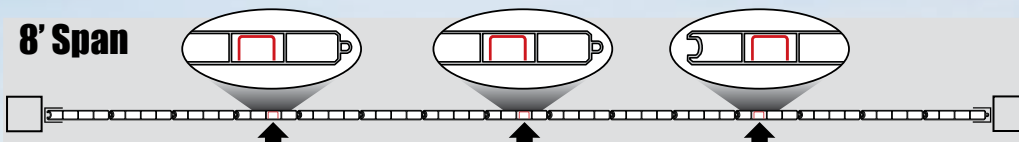


### B. Vertical Fence - Top Down View

#### 6' Span



#### 8' Span



### C. Horizontal Fence

